

Disposable Virus Sampling Tubes

Description

Disposable Virus Sampling Tubes (10 in one and 20 in one), Non-sterile

Purpose

Suitable for collection, transportation and storage of samples

Materials

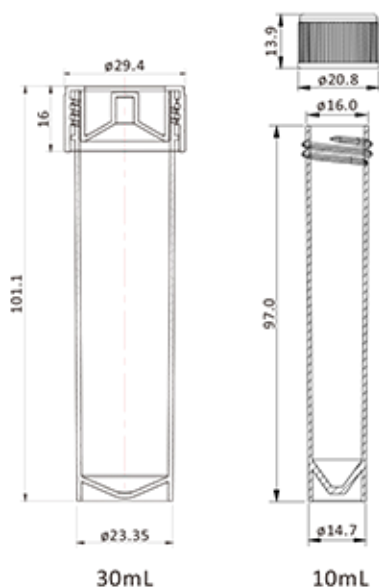
Tube: PP (Polypropylene)

Cap: PE (Polyethylene) Color: Red

Swab: Nylon staple fiber villus head + ABS rod



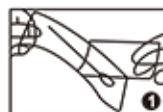
Dimensions (Unit: mm)



Features

- Large scale screening for COVID-19 testing
- PH of preservation solution: 7.0~8.0
- High quality throat flocking swab, easy to operate and break
- The folding point of throat flocking swab: 30mm ±0.2
- Store at room temperature for 18 months
- Manufactured in a class 100,000 room environment
- Manufactured under ISO13485 and ISO9001 quality management system

Instruction for use



Open the package, take out the swab.



Use the swab to collect samples and put it into the tube.



Break the swab rod and leave the swab head inside the tube.



Screw the cap tightly and mark on the tube.

Disposable Virus Sampling Tubes

Cat. No.	Description	Sterilization	Qty/Pk	Qty/Case
CYI003010	10mL Sampling tubes + 6mL Preservation solution, Throat flocking swab	No	50	1200
CYI003030	30mL Sampling tubes + 11~12mL Preservation solution, Throat flocking swab	No	20	480
CYS001001	Throat flocking swab, Individually package	No	100	9600
CYS001002	Throat flocking swab, Individually package	No	100	6000

Disposable Virus Sampling Tubes

Description

Disposable Virus Sampling Tubes, Self-standing Bottom, Non-sterile

Purpose

Suitable for collection, transportation and storage of samples

Materials

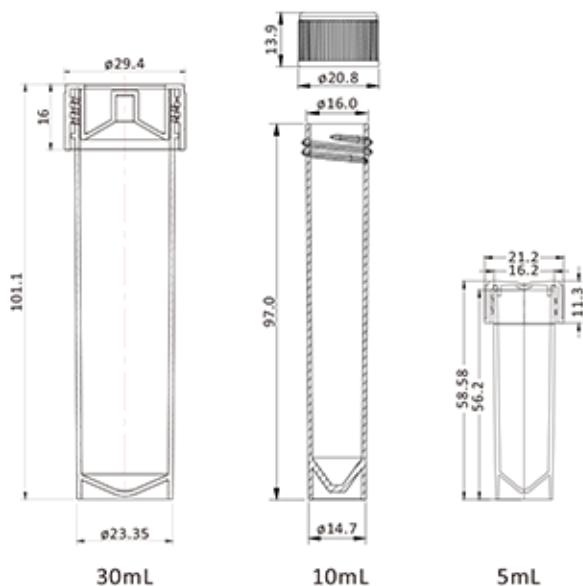
Tube: PP (Polypropylene)

Cap: PE (Polyethylene)

Color: Red



Dimensions (Unit: mm)



Features

- Available with 3 volumes of 5mL, 10mL and 30mL
- Autoclavable at 121°C and freezable to -80°C
- The tube is transparent without graduation
- The conical bottom design is easy to dump and reduce residue
- Leak-proof
- Manufactured in a class 100,000 room environment
- Manufactured under ISO13485 and ISO9001 quality management system

Disposable Virus Sampling Tubes

Cat. No.	Capacity	Bottom Shape	Graduation	Sterilization	Packaging Configuration
CYT001005	5 mL	Self-standing	No	No	Bulk, tube: 2500/pk, cap: 2500/pk
CYT001010	10 mL	Self-standing	No	No	Bulk, tube: 1000/pk, cap: 1000/pk
CYT001030	30 mL	Self-standing	No	No	Bulk, tube: 700/pk, cap: 700/pk