

48 Well Round Deep Well Plate

Description

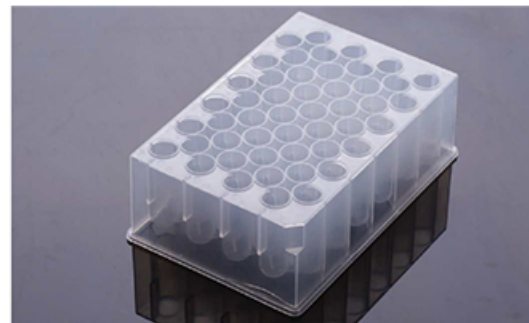
48 Well Round Deep Well Plate, Clear, Sterile or Non-sterile

Purpose

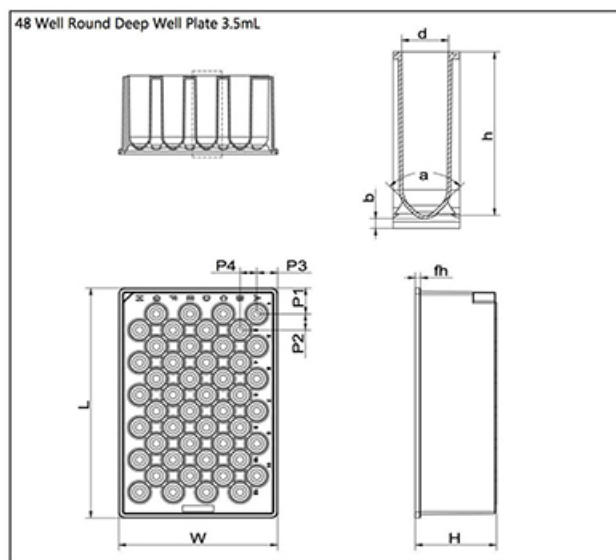
Suitable for storage of organic solutions, acidic and alkaline solutions, etc

Materials

Plate: PP (Polypropylene)



Dimensions (Unit: mm)



Features

- Manufactured from high-quality polypropylene
- Well volumes: 3.5mL
- Resistant to a wide variety of chemicals
- Compatible with most robotic samplers and automated liquid handling systems
- Designed notched corners to facilitate orientation
- Wells are labeled with alphanumeric code for easy identification
- Can be used with flexible mat covers reduce sample evaporation and contamination
- DNase/RNase free and non-pyrogenic
- Sterilized by irradiation SAL10⁻⁶ (ISO11137)
- Shelf Life: 3 years after month of production
- Manufactured in a class 100,000 room environment
- Manufactured under ISO13485 and ISO9001 quality management system

Plate type	Plate dimension [mm]			Well dimension [mm]			Theoretical Weight[g]
	Length	Width	Height	Depth	Diameter		
3.5ML	127.76	85.48	43.60	2.80	40.40	11.20	
Plate type	Bottom		Position of well center [mm]				Theoretical Weight[g]
	Angle	Space[mm]	P1	P2	P3	P4	
3.5ML	90.00	2.40	14.38	9.00	11.24	9.00	77.00



48 Well Round Deep Well Plate

Cat. No.	Well Qty.	Volume	Well Shape	Bottom Shape	Lid	Sterilization	Packaging Configuration
RWP352048	48	3.5 mL	Round	V Bottom	No	No	24 plates/box, 96/case
RWP353248	48	3.5 mL	Round	V Bottom	No	Yes	5 plates/bag, 2 bags/box, 50/case
RWP352548	48	3.5 mL	Round	V Bottom	Yes	No	5 plates/bag, 2 bags/box, 50/case
RWP353548	48	3.5 mL	Round	V Bottom	Yes	Yes	5 plates/bag, 2 bags/box, 50/case

96 Well Round Deep Well Plate

Description

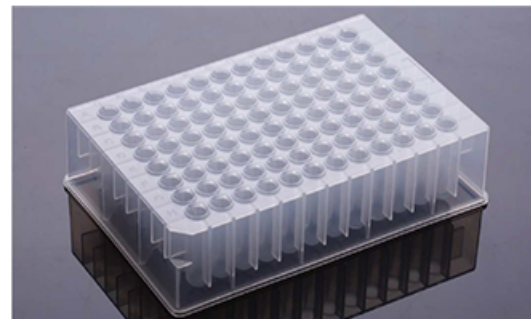
96 Well Round Deep Well Plate, Clear, Sterile or Non-sterile

Purpose

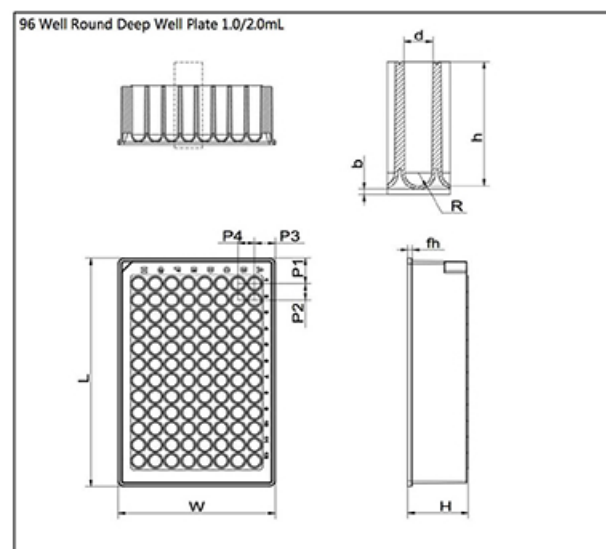
Suitable for storage of organic solutions, acidic and alkaline solutions, etc

Materials

Plate: PP (Polypropylene)



Dimensions (Unit: mm)



Features

- Manufactured from high-quality polypropylene
- 2 Well volumes: 1.0mL and 2.0mL
- Resistant to a wide variety of chemicals
- Compatible with most robotic samplers and automated liquid handling systems
- Designed notched corners to facilitate orientation
- Wells are labeled with alphanumeric code for easy identification
- Can be used with flexible mat covers reduce sample evaporation and contamination
- DNase/RNase free and non-pyrogenic
- Sterilized by irradiation SAL10⁻⁶ (ISO11137)
- Shelf Life: 3 years after month of production
- Manufactured in a class 100,000 room environment
- Manufactured under ISO13485 and ISO9001 quality management system

Plate type	Plate dimension (mm)			Well dimension (mm)		
	Length	Width	Height	Depth	Diameter	
	L	W	H	fh	h	d
1.0mL	127.76	85.48	33.00	2.50	30.84	7.00
2.0mL	127.76	85.48	43.90	2.50	41.90	8.50

Plate type	Bottom (mm)		Position of well center (mm)				Theoretical Weight(g)
	radius	Space					
	R	b	P1	P2	P3	P4	
1.0mL	4.12	1.30	14.38	9.00	11.24	9.00	76.50
2.0mL	4.30	1.30	14.38	9.00	11.24	9.00	93.57



96 Well Round Deep Well Plate

Cat. No.	Well Qty.	Volume	Well Shape	Bottom Shape	Lid	Sterilization	Packaging Configuration
RWP103296	96	1.0 mL	Round	U Bottom	No	Yes	5 plates/bag, 2 bags/box, 50/case
RWP102596	96	1.0 mL	Round	U Bottom	Yes	No	5 plates/bag, 2 bags/box, 50/case
RWP103596	96	1.0 mL	Round	U Bottom	Yes	Yes	5 plates/bag, 2 bags/box, 50/case
RWP203296	96	2.0 mL	Round	U Bottom	No	Yes	5 plates/bag, 2 bags/box, 50/case
RWP202596	96	2.0 mL	Round	U Bottom	Yes	No	5 plates/bag, 2 bags/box, 50/case
RWP203596	96	2.0 mL	Round	U Bottom	Yes	Yes	5 plates/bag, 2 bags/box, 50/case

96 Well Round Microplate

Description

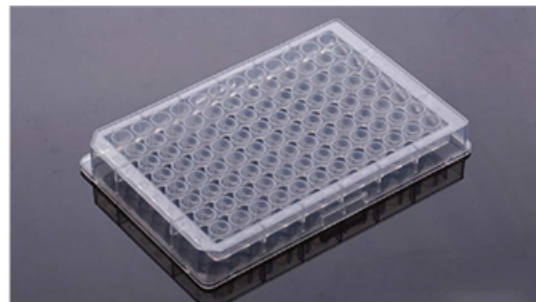
96 Well Round Microplate, Clear, Sterile or Non-sterile

Purpose

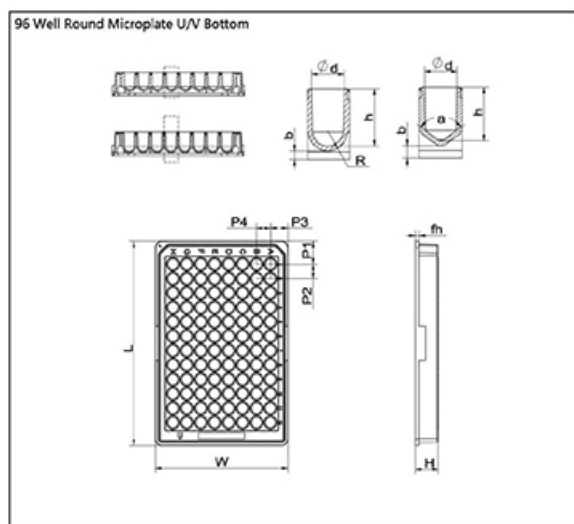
Suitable for storage of organic solutions, acidic and alkaline solutions, etc

Materials

Plate: PP (Polypropylene)



Dimensions (Unit: mm)



Features

- Manufactured from high-quality polypropylene
- 2 Well volumes: 0.36mL and 0.4mL
- Resistant to a wide variety of chemicals
- Compatible with most robotic samplers and automated liquid handling systems
- Designed notched corners to facilitate orientation
- Wells are labeled with alphanumeric code for easy identification
- Can be used with flexible mat covers reduce sample evaporation and contamination
- DNase/RNase free and non-pyrogenic
- Sterilized by irradiation SAL10⁻⁶ (ISO11137)
- Shelf Life: 3 years after month of production
- Manufactured in a class 100,000 room environment
- Manufactured under ISO13485 and ISO9001 quality management system

Plate type	Plate dimension [mm]			Well dimension [mm]			Theoretical Weight[g]
	Length	Width	Height	Depth	Diameter		
	L	W	H	fh	h	d	
0.4ML-96U	127.76	85.48	14.75	2.50	11.95	7.00	32.30
0.36ML-96V	127.76	85.48	14.75	2.50	11.12	7.00	32.40

Plate type	Bottom [mm]			Position of well center [mm]			
	Radius	Angle [°]	Space	P1	P2	P3	P4
	R	a	b				
0.4ML-96U	4.19	1.80	14.38	9.00	11.24	9.00	
0.36ML-96V		110.00	2.60	14.38	9.00	11.24	9.00



96 Well Round Microplate

Cat. No.	Well Qty.	Volume	Well Shape	Bottom Shape	Lid	Sterilization	Packaging Configuration
VWP032096	96	0.36 mL	Round	V Bottom	No	No	10 plates/box, 100/case
VWP033096	96	0.36 mL	Round	V Bottom	No	Yes	10 plates/box, 100/case
VWP033196	96	0.36 mL	Round	V Bottom	Yes	Yes	10 plates/box, 100/case
UWP042096	96	0.4 mL	Round	U Bottom	No	No	10 plates/box, 100/case
UWP043096	96	0.4 mL	Round	U Bottom	No	Yes	10 plates/box, 100/case
UWP043196	96	0.4 mL	Round	U Bottom	Yes	Yes	10 plates/box, 100/case