

## 125mL Erlenmeyer Flasks

### Description

125 mL, Baffled Bottom, with Plug Seal Cap or Vent Cap, Sterile

### Purpose

Ideal for shaker culture applications and storage

### Materials

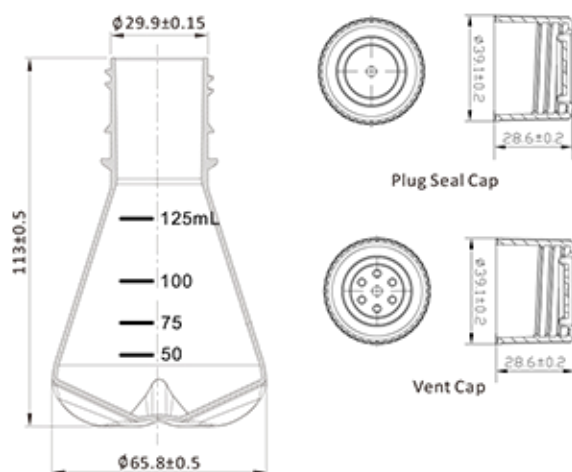
Flask: PC (Polycarbonate) / PETG (Polyethylene Terephthalate Glycol)

Cap: HDPE (High-density Polyethylene) Color: Light green

Membrane: 0.22  $\mu$ m Hydrophobic PTFE (only use for Vent Cap)



### Dimensions (Unit: mm)



### Features

- Temperature range for PC Flasks: -80°C to +121°C
- Temperature range for PETG Flasks: -60°C to +60°C
- PC provides excellent optical clarity and mechanical strength
- Crystal-clear PETG is robust and break resistant, increasing personal safety
- Unlike glass, flasks will not break when dropped
- Molded-in graduations for accuracy
- Unique baffled design with a molded-in "1/3 Fill" line for customer convenience
- Baffled bottoms improve mixing and increase gas exchange
- Vent cap option for continuous gas exchange while ensuring sterility and preventing leakage
- Individually packaged
- DNase/RNase free and non-pyrogenic
- Sterilized by irradiation SAL10<sup>6</sup> (ISO11137)
- Shelf Life: 3 years after month of production
- Manufactured in a class 100,000 room environment
- Manufactured under ISO13485 and ISO9001 quality management system



STERILE R

## 125mL Erlenmeyer Flasks

| Cat. No.  | Capacity | Flask Material | Cap Style     | Sterilization | Packaging Configuration |
|-----------|----------|----------------|---------------|---------------|-------------------------|
| TAB011125 | 125 mL   | PC             | Plug Seal Cap | Yes           | 1 pcs/bag, 24 bags/case |
| TAB012125 | 125 mL   | PC             | Vent Cap      | Yes           | 1 pcs/bag, 24 bags/case |
| TAB111125 | 125 mL   | PETG           | Plug Seal Cap | Yes           | 1 pcs/bag, 24 bags/case |
| TAB112125 | 125 mL   | PETG           | Vent Cap      | Yes           | 1 pcs/bag, 24 bags/case |

## 250mL Erlenmeyer Flasks

### Description

250 mL, Baffled Bottom, with Plug Seal Cap or Vent Cap, Sterile

### Purpose

Ideal for shaker culture applications and storage

### Materials

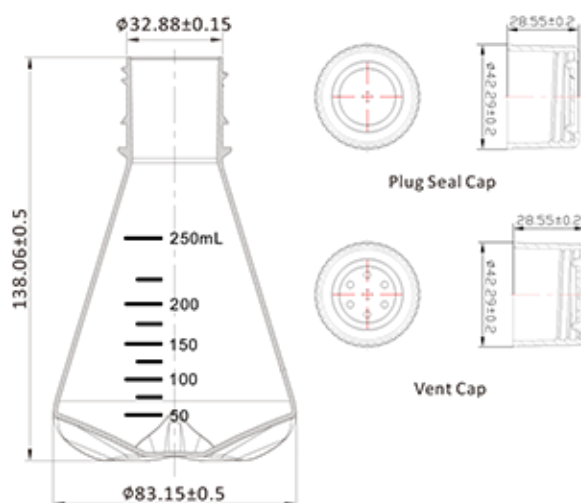
Flask: PC (Polycarbonate) / PETG (Polyethylene Terephthalate Glycol)

Cap: HDPE (High-density Polyethylene) Color: Light green

Membrane: 0.22  $\mu$ m Hydrophobic PTFE (only use for Vent Cap)



### Dimensions (Unit: mm)



### Features

- Temperature range for PC Flasks: -80°C to +121°C
- Temperature range for PETG Flasks: -60°C to +60°C
- PC provides excellent optical clarity and mechanical strength
- Crystal-clear PETG is robust and break resistant, increasing personal safety
- Unlike glass, flasks will not break when dropped
- Molded-in graduations for accuracy
- Unique baffled design with a molded-in "1/3 Fill" line for customer convenience
- Baffled bottoms improve mixing and increase gas exchange
- Vent cap option for continuous gas exchange while ensuring sterility and preventing leakage
- Individually packaged
- DNase/RNase free and non-pyrogenic
- Sterilized by irradiation SAL10<sup>-6</sup> (ISO11137)
- Shelf Life: 3 years after month of production
- Manufactured in a class 100,000 room environment
- Manufactured under ISO13485 and ISO9001 quality management system



## 250mL Erlenmeyer Flasks

| Cat. No.  | Capacity | Flask Material | Cap Style     | Sterilization | Packaging Configuration |
|-----------|----------|----------------|---------------|---------------|-------------------------|
| TAB011250 | 250 mL   | PC             | Plug Seal Cap | Yes           | 1 pcs/bag, 12 bags/case |
| TAB012250 | 250 mL   | PC             | Vent Cap      | Yes           | 1 pcs/bag, 12 bags/case |
| TAB111250 | 250 mL   | PETG           | Plug Seal Cap | Yes           | 1 pcs/bag, 12 bags/case |
| TAB112250 | 250 mL   | PETG           | Vent Cap      | Yes           | 1 pcs/bag, 12 bags/case |

## 500mL Erlenmeyer Flasks

### Description

500 mL, Baffled Bottom, with Plug Seal Cap or Vent Cap, Sterile

### Purpose

Ideal for shaker culture applications and storage

### Materials

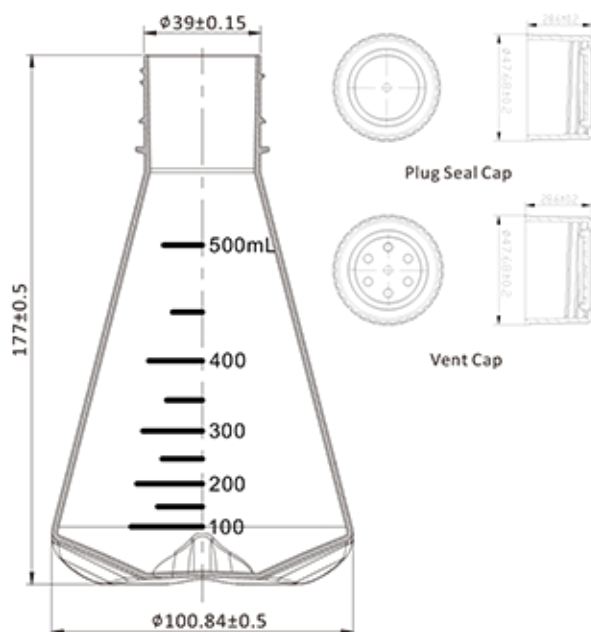
Flask: PC (Polycarbonate) / PETG (Polyethylene Terephthalate Glycol)

Cap: HDPE (High-density Polyethylene) Color: Light green

Membrane: 0.22 µm Hydrophobic PTFE (only use for Vent Cap)



### Dimensions (Unit: mm)



### Features

- Temperature range for PC Flasks: -80°C to +121°C
- Temperature range for PETG Flasks: -60°C to +60°C
- PC provides excellent optical clarity and mechanical strength
- Crystal-clear PETG is robust and break resistant, increasing personal safety
- Unlike glass, flasks will not break when dropped
- Molded-in graduations for accuracy
- Unique baffled design with a molded-in "1/3 Fill" line for customer convenience
- Baffled bottoms improve mixing and increase gas exchange
- Vent cap option for continuous gas exchange while ensuring sterility and preventing leakage
- Individually packaged
- DNase/RNase free and non-pyrogenic
- Sterilized by irradiation SAL10<sup>-6</sup> (ISO11137)
- Shelf Life: 3 years after month of production
- Manufactured in a class 100,000 room environment
- Manufactured under ISO13485 and ISO9001 quality management system



STERILE R

## 500mL Erlenmeyer Flasks

| Cat. No.  | Capacity | Flask Material | Cap Style     | Sterilization | Packaging Configuration |
|-----------|----------|----------------|---------------|---------------|-------------------------|
| TAB011500 | 500 mL   | PC             | Plug Seal Cap | Yes           | 1 pcs/bag, 12 bags/case |
| TAB012500 | 500 mL   | PC             | Vent Cap      | Yes           | 1 pcs/bag, 12 bags/case |
| TAB111500 | 500 mL   | PETG           | Plug Seal Cap | Yes           | 1 pcs/bag, 12 bags/case |
| TAB112500 | 500 mL   | PETG           | Vent Cap      | Yes           | 1 pcs/bag, 12 bags/case |



## 1000mL Erlenmeyer Flasks

### Description

1000 mL, Baffled Bottom, with Plug Seal Cap or Vent Cap, Sterile

### Purpose

Ideal for shaker culture applications and storage

### Materials

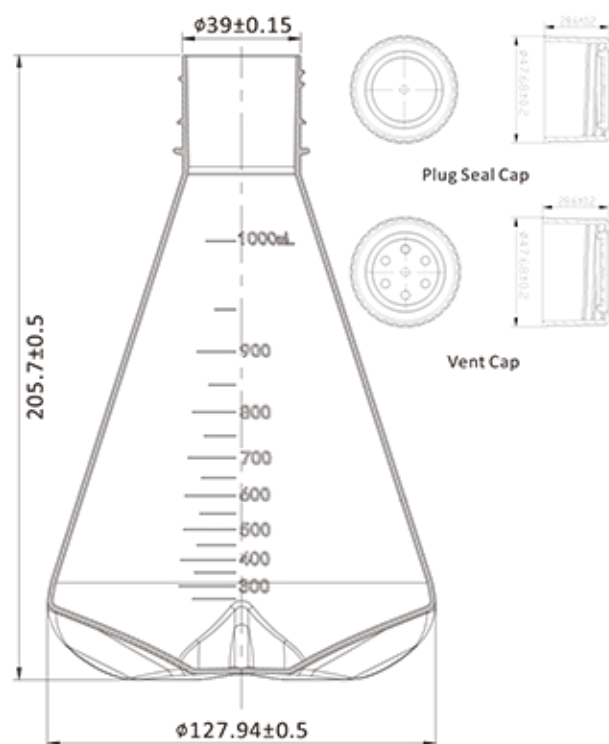
Flask: PC (Polycarbonate) / PETG (Polyethylene Terephthalate Glycol)

Cap: HDPE (High-density Polyethylene) Color: Light green

Membrane: 0.22  $\mu$ m Hydrophobic PTFE (only use for Vent Cap)



### Dimensions (Unit: mm)



### Features

- Temperature range for PC Flasks: -80°C to +121°C
- Temperature range for PETG Flasks: -60°C to +60°C
- PC provides excellent optical clarity and mechanical strength
- Crystal-clear PETG is robust and break resistant, increasing personal safety
- Unlike glass, flasks will not break when dropped
- Molded-in graduations for accuracy
- Unique baffled design with a molded-in "1/3 Fill" line for customer convenience
- Baffled bottoms improve mixing and increase gas exchange
- Vent cap option for continuous gas exchange while ensuring sterility and preventing leakage
- Individually packaged
- DNase/RNase free and non-pyrogenic
- Sterilized by irradiation SAL10<sup>-6</sup> (ISO11137)
- Shelf Life: 3 years after month of production
- Manufactured in a class 100,000 room environment
- Manufactured under ISO13485 and ISO9001 quality management system



## 1000mL Erlenmeyer Flasks

| Cat. No.  | Capacity | Flask Material | Cap Style     | Sterilization | Packaging Configuration |
|-----------|----------|----------------|---------------|---------------|-------------------------|
| TAB011000 | 1000 mL  | PC             | Plug Seal Cap | Yes           | 1 pcs/bag, 24 bags/case |
| TAB012000 | 1000 mL  | PC             | Vent Cap      | Yes           | 1 pcs/bag, 24 bags/case |
| TAB111000 | 1000 mL  | PETG           | Plug Seal Cap | Yes           | 1 pcs/bag, 24 bags/case |
| TAB112000 | 1000 mL  | PETG           | Vent Cap      | Yes           | 1 pcs/bag, 24 bags/case |