

35mm Tissue Culture Dishes

Description

35 mm, Surface Treated or Non-Treated, Sterile

Purpose

For use in applications where cell attachment is desired or not desired

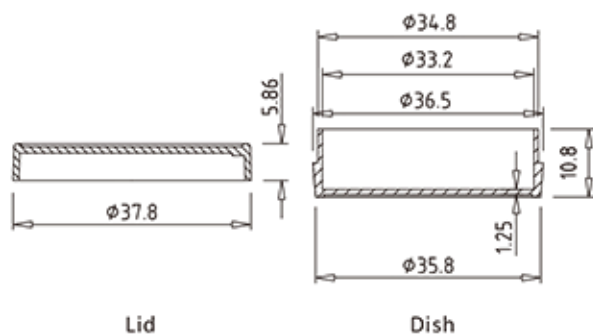
Materials

Dish: GPPS (General Polystyrene)

Lid: GPPS (General Polystyrene)



Dimensions (Unit: mm)



Features

- Available in Surface Treated or Non-Treated
- Lids with several little chimbs to shape vents are available for very effective gas exchange
- Flat bottom uniform wall thickness ensures distortion-free bottom
- Bulk packed in zip-Lock bag
- Recommended Working volume: 2-3.5 mL
- Growth area: 8.5 cm²
- Autoclavability: No
- DNase/RNase free and non-pyrogenic
- Sterilized by irradiation SAL10⁴ (ISO11137)
- Shelf Life: 3 years after month of production
- Manufactured in a class 100,000 room environment
- Manufactured under ISO13485 and ISO9001 quality management system



35mm Tissue Culture Dishes

Cat. No.	Capacity	Surface Type	Sterilization	Qty/Bag	Qty/Case
TCD000035	35 mm	Non-Treated	Yes	10	960
TCD010035	35 mm	Surface Treated	Yes	10	960

60mm Tissue Culture Dishes

Description

60 mm, Surface Treated or Non-Treated, Sterile

Purpose

For use in applications where cell attachment is desired or not desired

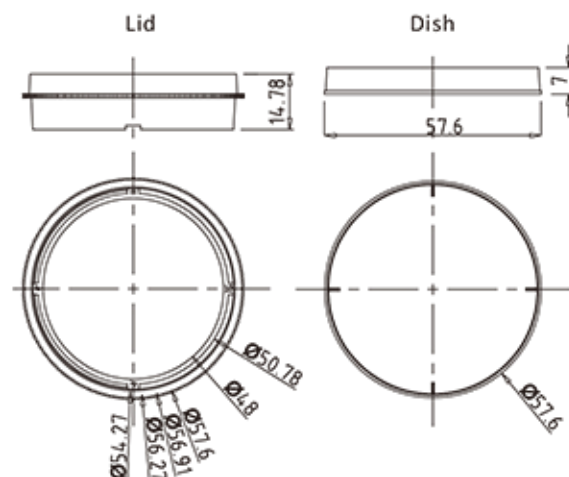
Materials

Dish: GPPS (General Polystyrene)

Lid: GPPS (General Polystyrene)



Dimensions (Unit: mm)



Features

- Available in Surface Treated or Non-Treated
- Lids with several little chimbs to shape vents are available for very effective gas exchange
- Flat bottom uniform wall thickness ensures distortion-free bottom
- Bulk packed in zip-Lock bag
- Recommended Working volume: 4-7 mL
- Growth area: 21.2 cm²
- Autoclavability: No
- DNase/RNase free and non-pyrogenic
- Sterilized by irradiation SAL10⁴ (ISO11137)
- Shelf Life: 3 years after month of production
- Manufactured in a class 100,000 room environment
- Manufactured under ISO13485 and ISO9001 quality management system



STERILE R

60mm Tissue Culture Dishes

Cat. No.	Capacity	Surface Type	Sterilization	Qty/Bag	Qty/Case
TCD000060	60 mm	Non-Treated	Yes	10	600
TCD010060	60 mm	Surface Treated	Yes	10	600

70mm Tissue Culture Dishes

Description

70 mm, Surface Treated or Non-Treated, Sterile

Purpose

For use in applications where cell attachment is desired or not desired

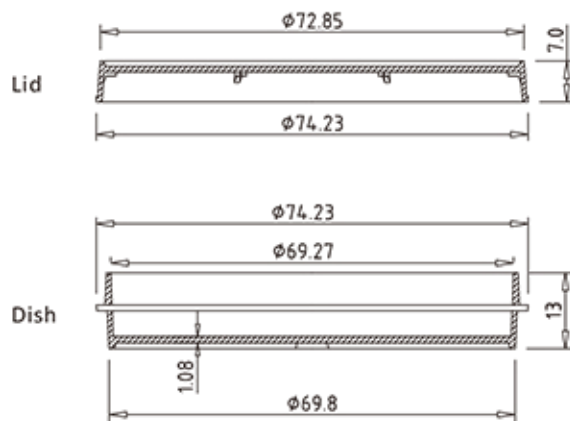
Materials

Dish: GPPS (General Polystyrene)

Lid: GPPS (General Polystyrene)



Dimensions (Unit: mm)



Features

- Available in Surface Treated or Non-Treated
- Lids with several little chimbs to shape vents are available for very effective gas exchange
- Flat bottom uniform wall thickness ensures distortion-free bottom
- Bulk packed in zip-Lock bag
- Recommended Working volume: 6-11 mL
- Growth area: 36.3 cm²
- Autoclavability: No
- DNase/RNase free and non-pyrogenic
- Sterilized by irradiation SAL10⁺ (ISO11137)
- Shelf Life: 3 years after month of production
- Manufactured in a class 100,000 room environment
- Manufactured under ISO13485 and ISO9001 quality management system



70mm Tissue Culture Dishes

Cat. No.	Capacity	Surface Type	Sterilization	Qty/Bag	Qty/Case
TCD000070	70 mm	Non-Treated	Yes	10	600
TCD010070	70 mm	Surface Treated	Yes	10	600

90mm Tissue Culture Dishes

Description

90 mm, Surface Treated or Non-Treated, Sterile

Purpose

For use in applications where cell attachment is desired or not desired

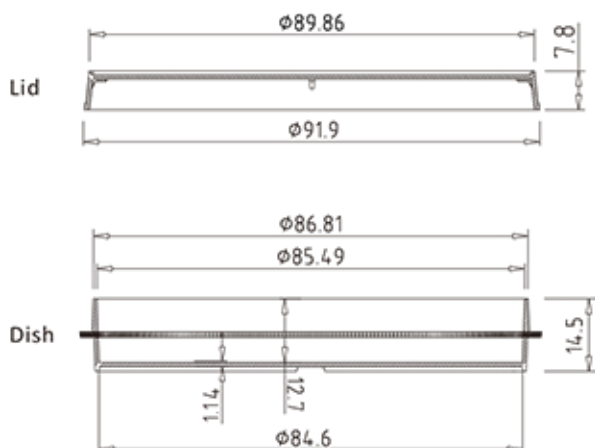
Materials

Dish: GPPS (General Polystyrene)

Lid: GPPS (General Polystyrene)



Dimensions (Unit: mm)



Features

- Available in Surface Treated or Non-Treated
- Lids with several little chimbs to shape vents are available for very effective gas exchange
- Flat bottom uniform wall thickness ensures distortion-free bottom
- Bulk packed in zip-Lock bag
- Recommended Working volume: 10-18 mL
- Growth area: 55.0 cm²
- Autoclavability: No
- DNase/RNase free and non-pyrogenic
- Sterilized by irradiation SAL10⁴ (ISO11137)
- Shelf Life: 3 years after month of production
- Manufactured in a class 100,000 room environment
- Manufactured under ISO13485 and ISO9001 quality management system



STERILE

R

90mm Tissue Culture Dishes

Cat. No.	Capacity	Surface Type	Sterilization	Qty/Bag	Qty/Case
TCD000090	90 mm	Non-Treated	Yes	10	500
TCD010090	90 mm	Surface Treated	Yes	10	500

100mm Tissue Culture Dishes

Description

100 mm, Surface Treated or Non-Treated, Sterile

Purpose

For use in applications where cell attachment is desired or not desired

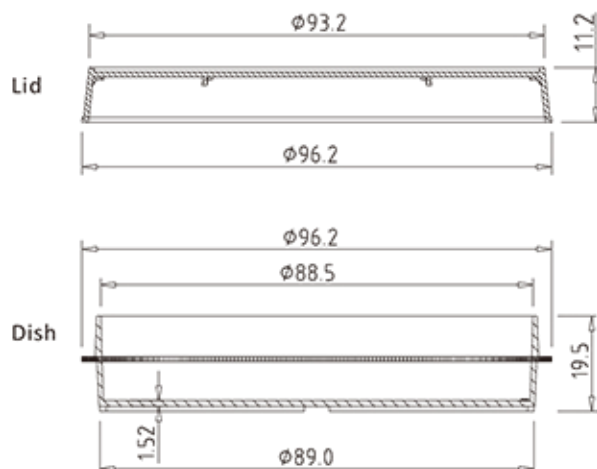
Materials

Dish: GPPS (General Polystyrene)

Lid: GPPS (General Polystyrene)



Dimensions (Unit: mm)



Features

- Available in Surface Treated or Non-Treated
- Lids with several little chimbs to shape vents are available for very effective gas exchange
- Flat bottom uniform wall thickness ensures distortion-free bottom
- Bulk packed in zip-Lock bag
- Recommended Working volume: 12-20 mL
- Growth area: 60.8 cm²
- Autoclavability: No
- DNase/RNase free and non-pyrogenic
- Sterilized by irradiation SAL10⁺ (ISO11137)
- Shelf Life: 3 years after month of production
- Manufactured in a class 100,000 room environment
- Manufactured under ISO13485 and ISO9001 quality management system


STERILE
R

100mm Tissue Culture Dishes

Cat. No.	Capacity	Surface Type	Sterilization	Qty/Bag	Qty/Case
TCD000100	100 mm	Non-Treated	Yes	10	300
TCD010100	100 mm	Surface Treated	Yes	10	300

150mm Tissue Culture Dishes

Description

150 mm, Surface Treated or Non-Treated, Sterile

Purpose

For use in applications where cell attachment is desired or not desired

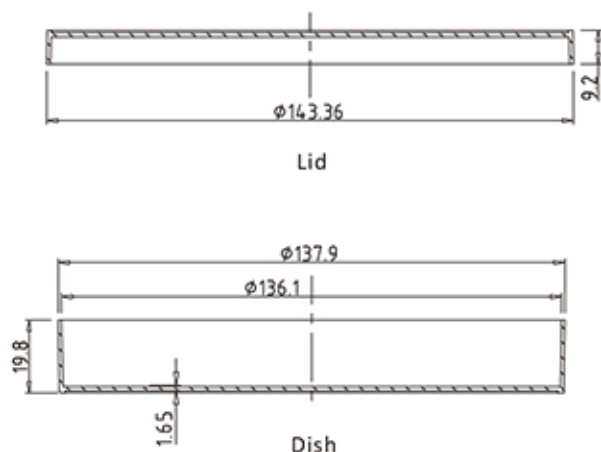
Materials

Dish: GPPS (General Polystyrene)

Lid: GPPS (General Polystyrene)



Dimensions (Unit: mm)



Features

- Available in Surface Treated or Non-Treated
- Lids with several little chimbs to shape vents are available for very effective gas exchange
- Flat bottom uniform wall thickness ensures distortion-free bottom
- Bulk packed in zip-Lock bag
- Recommended Working volume: 25-50 mL
- Growth area: 143.0 cm²
- Autoclavability: No
- DNase/RNase free and non-pyrogenic
- Sterilized by irradiation SAL10⁴ (ISO11137)
- Shelf Life: 3 years after month of production
- Manufactured in a class 100,000 room environment
- Manufactured under ISO13485 and ISO9001 quality management system



150mm Tissue Culture Dishes

Cat. No.	Capacity	Surface Type	Sterilization	Qty/Bag	Qty/Case
TCD000150	150 mm	Non-Treated	Yes	1	120
TCD010150	150 mm	Surface Treated	Yes	1	120
TCD001150	150 mm	Non-Treated	Yes	5	100
TCD110150	150 mm	Surface Treated	Yes	5	100