

Single well Tissue Culture Plates

Description

Single well, Surface Treated or Non-Treated, Sterile

Purpose

For use in applications where cell attachment is desired or not desired

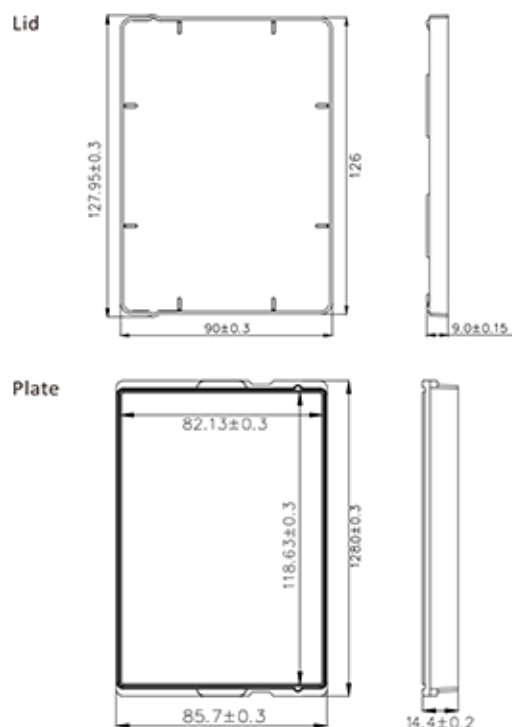
Materials

Plate: GPPS (General Polystyrene)

Lid: GPPS (General Polystyrene)



Dimensions (Unit: mm)



Features

- Single well plates have increased internal plating dimension, providing larger area for cell growth
- Plates have a standard external footprint, making them compatible with other instruments that accept SBS-standard plates
- Suitable for robotic handling
- Assembled plate and lid height: 17.5 mm
- Max. volume: 90.0 mL
- Working volume: 35.0 mL
- Growth area: 97.0 cm²
- Autoclavability: No
- DNase/RNase free and non-pyrogenic
- Sterilized by irradiation SAL10⁶ (ISO11137)
- Shelf Life: 3 years after month of production
- Manufactured in a class 100,000 room environment
- Manufactured under ISO13485 and ISO9001 quality management system



Single well Tissue Culture Plates

Cat. No.	Well Qty.	Surface Type	Sterilization	Package	Qty/Tray	Qty/Box	Qty/Case
TCP001001	Single	Non-Treated	Yes	Plastic blister pack	1	50	100
TCP011001	Single	Surface Treated	Yes	Plastic blister pack	1	50	100
TCP000001	Single	Non-Treated	Yes	Paper plastic bag	1	50	200
TCP010001	Single	Surface Treated	Yes	Paper plastic bag	1	50	200

4 well Tissue Culture Plates

Description

4 well, Flat Bottom, Surface Treated or Non-Treated, Sterile

Purpose

For use in applications where cell attachment is desired or not desired

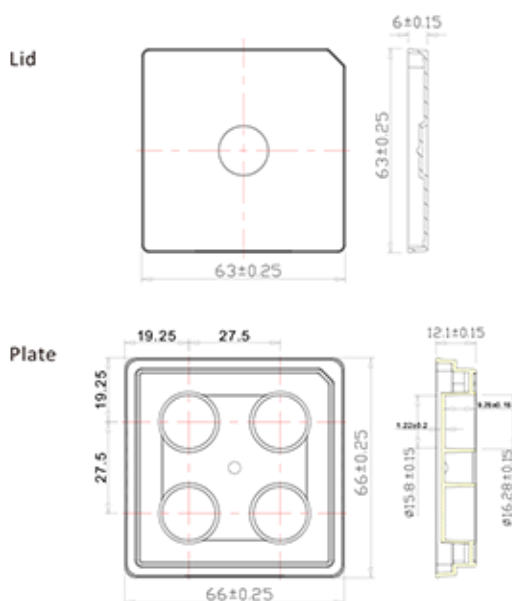
Materials

Plate: GPPS (General Polystyrene)

Lid: GPPS (General Polystyrene)



Dimensions (Unit: mm)



Features

- Flat bottom round well
- Lid with notched corners for good fit and easy orientation
- Wells are labeled with alphanumeric code for easy identification
- Assembled plate and lid height: 13.5 mm
- Max. volume (single well): 1.86 mL
- Working volume (single well): 1.0 mL
- Growth area (single well): 1.96 cm²
- Autoclavability: No
- DNase/RNase free and non-pyrogenic
- Sterilized by irradiation SAL10⁶ (ISO11137)
- Shelf Life: 3 years after month of production
- Manufactured in a class 100,000 room environment
- Manufactured under ISO13485 and ISO9001 quality management system



4 well Tissue Culture Plates

Cat. No.	Well Qty.	Surface Type	Sterilization	Package	Qty/Tray	Qty/Box	Qty/Case
TCP001004	4	Non-Treated	Yes	Plastic blister pack	1	50	100
TCP011004	4	Surface Treated	Yes	Plastic blister pack	1	50	100

6 well Tissue Culture Plates

Description

6 well, Flat Bottom, Surface Treated or Non-Treated, Sterile

Purpose

For use in applications where cell attachment is desired or not desired

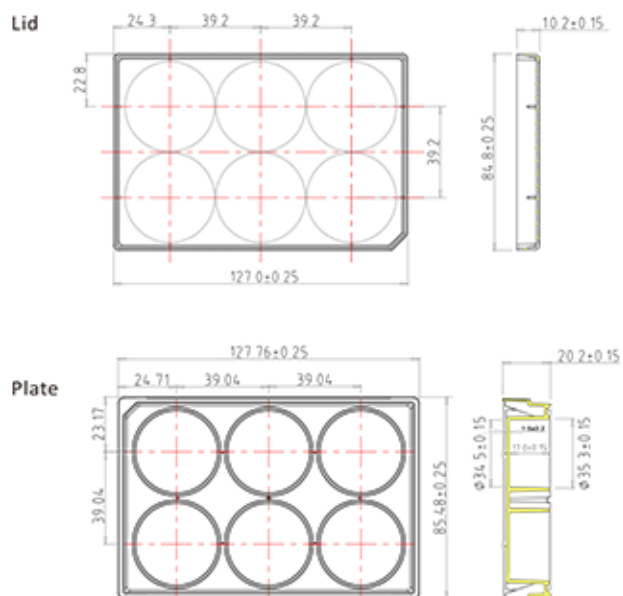
Materials

Plate: GPPS (General Polystyrene)

Lid: GPPS (General Polystyrene)



Dimensions (Unit: mm)



Features

- Flat bottom round well
- Lid with notched corners for good fit and easy orientation
- Wells are labeled with alphanumeric code for easy identification
- Assembled plate and lid height: 22.2 mm
- Max. volume (single well): 17.0 mL
- Working volume (single well): 1.9~2.9 mL
- Growth area (single well): 9.6 cm²
- Autoclavability: No
- DNase/RNase free and non-pyrogenic
- Sterilized by irradiation SAL10⁶ (ISO11137)
- Shelf Life: 3 years after month of production
- Manufactured in a class 100,000 room environment
- Manufactured under ISO13485 and ISO9001 quality management system



6 well Tissue Culture Plates

Cat. No.	Well Qty.	Surface Type	Sterilization	Package	Qty/Tray	Qty/Box	Qty/Case
TCP001006	6	Non-Treated	Yes	Plastic blister pack	1	50	100
TCP011006	6	Surface Treated	Yes	Plastic blister pack	1	50	100
TCP000006	6	Non-Treated	Yes	Paper plastic bag	1	50	200
TCP010006	6	Surface Treated	Yes	Paper plastic bag	1	50	200

12 well Tissue Culture Plates

Description

12 well, Flat Bottom, Surface Treated or Non-Treated, Sterile

Purpose

For use in applications where cell attachment is desired or not desired

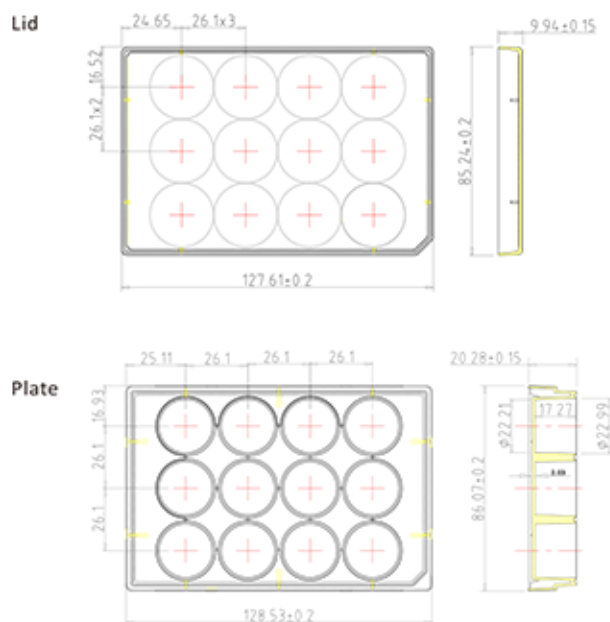
Materials

Plate: GPPS (General Polystyrene)

Lid: GPPS (General Polystyrene)



Dimensions (Unit: mm)



Features

- Flat bottom round well
- Lid with notched corners for good fit and easy orientation
- Wells are labeled with alphanumeric code for easy identification
- Assembled plate and lid height: 22.7 mm
- Max. volume (single well): 6.8 mL
- Working volume (single well): 0.76~1.14 mL
- Growth area (single well): 3.85 cm²
- Autoclavability: No
- DNase/RNase free and non-pyrogenic
- Sterilized by irradiation SAL10⁶ (ISO11137)
- Shelf Life: 3 years after month of production
- Manufactured in a class 100,000 room environment
- Manufactured under ISO13485 and ISO9001 quality management system



12 well Tissue Culture Plates

Cat. No.	Well Qty.	Surface Type	Sterilization	Package	Qty/Tray	Qty/Box	Qty/Case
TCP001012	12	Non-Treated	Yes	Plastic blister pack	1	50	100
TCP011012	12	Surface Treated	Yes	Plastic blister pack	1	50	100
TCP000012	12	Non-Treated	Yes	Paper plastic bag	1	50	200
TCP010012	12	Surface Treated	Yes	Paper plastic bag	1	50	200

24 well Tissue Culture Plates

Description

24 well, Flat Bottom, Surface Treated or Non-Treated, Sterile

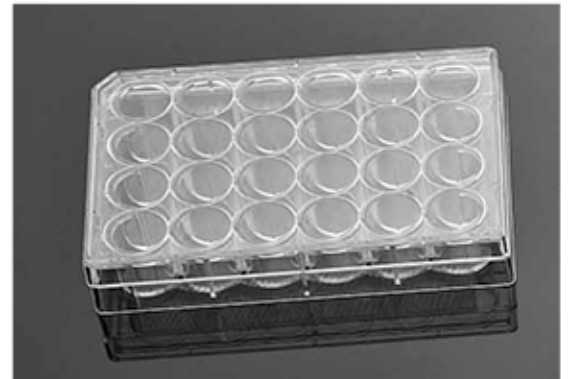
Purpose

For use in applications where cell attachment is desired or not desired

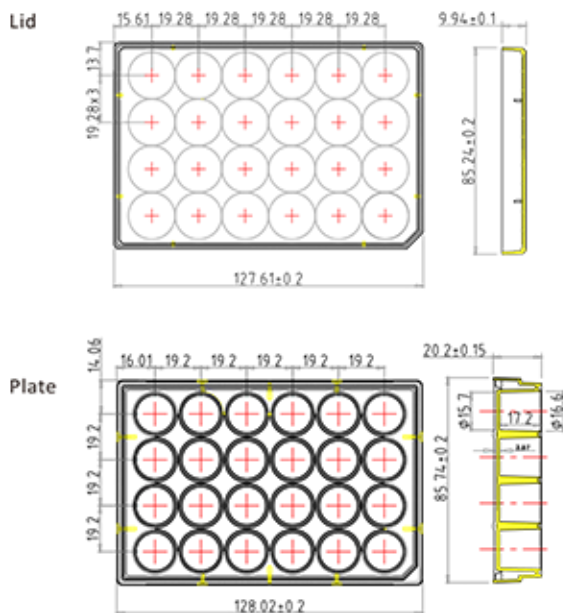
Materials

Plate: GPPS (General Polystyrene)

Lid: GPPS (General Polystyrene)



Dimensions (Unit: mm)



Features

- Flat bottom round well
- Lid with notched corners for good fit and easy orientation
- Wells are labeled with alphanumeric code for easy identification
- Assembled plate and lid height: 22.7 mm
- Max. volume (single well): 3.5 mL
- Working volume (single well): 0.38~0.57 mL
- Growth area (single well): 1.93 cm²
- Autoclavability: No
- DNase/RNase free and non-pyrogenic
- Sterilized by irradiation SAL10⁶ (ISO11137)
- Shelf Life: 3 years after month of production
- Manufactured in a class 100,000 room environment
- Manufactured under ISO13485 and ISO9001 quality management system



24 well Tissue Culture Plates

Cat. No.	Well Qty.	Surface Type	Sterilization	Package	Qty/Tray	Qty/Box	Qty/Case
TCP001024	24	Non-Treated	Yes	Plastic blister pack	1	50	100
TCP011024	24	Surface Treated	Yes	Plastic blister pack	1	50	100
TCP000024	24	Non-Treated	Yes	Paper plastic bag	1	50	200
TCP010024	24	Surface Treated	Yes	Paper plastic bag	1	50	200

96 well Tissue Culture Plates

Description

96 well, Flat Bottom, Surface Treated or Non-Treated, Sterile

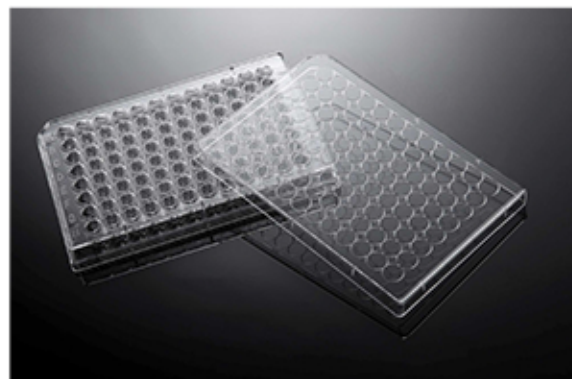
Purpose

For use in applications where cell attachment is desired or not desired

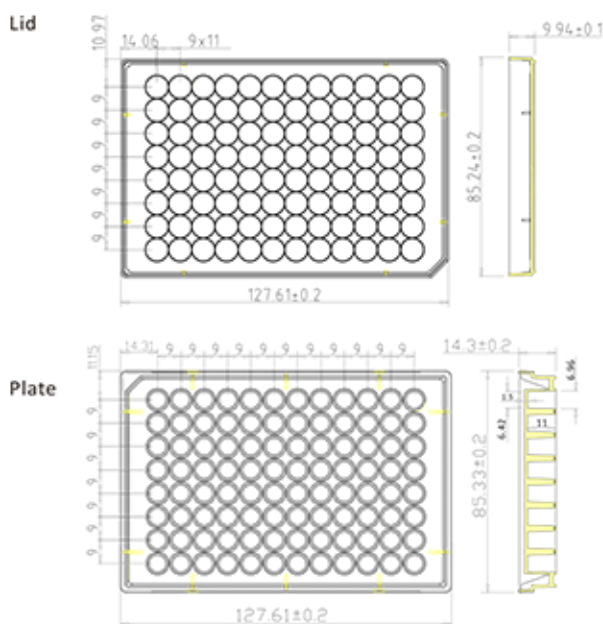
Materials

Plate: GPPS (General Polystyrene)

Lid: GPPS (General Polystyrene)



Dimensions (Unit: mm)



Features

- Flat bottom round well
- Lid with notched corners for good fit and easy orientation
- Wells are labeled with alphanumeric code for easy identification
- Assembled plate and lid height: 16.0 mm
- Max. volume (single well): 0.39 mL
- Working volume (single well): 0.075~0.2 mL
- Growth area (single well): 0.33 cm²
- Autoclavability: No
- DNase/RNase free and non-pyrogenic
- Sterilized by irradiation SAL10⁶ (ISO11137)
- Shelf Life: 3 years after month of production
- Manufactured in a class 100,000 room environment
- Manufactured under ISO13485 and ISO9001 quality management system



96 well Tissue Culture Plates

Cat. No.	Well Qty.	Surface Type	Sterilization	Package	Qty/Tray	Qty/Box	Qty/Case
TCP001096	96	Non-Treated	Yes	Plastic blister pack	1	50	100
TCP011096	96	Surface Treated	Yes	Plastic blister pack	1	50	100
TCP000096	96	Non-Treated	Yes	Paper plastic bag	1	50	200
TCP010096	96	Surface Treated	Yes	Paper plastic bag	1	50	200

96 well U-Bottom Tissue Culture Plates

Description

96 well, U-Bottom, Surface Treated or Non-Treated, Sterile

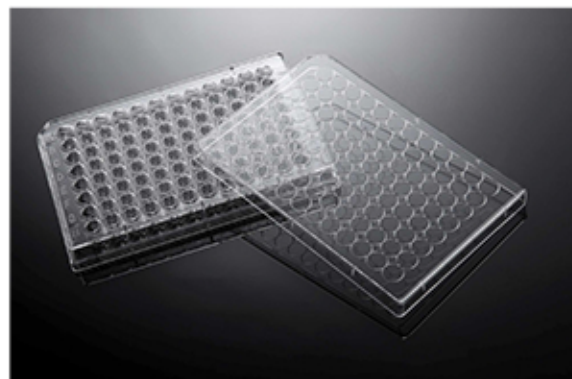
Purpose

For use in applications where cell attachment is desired or not desired

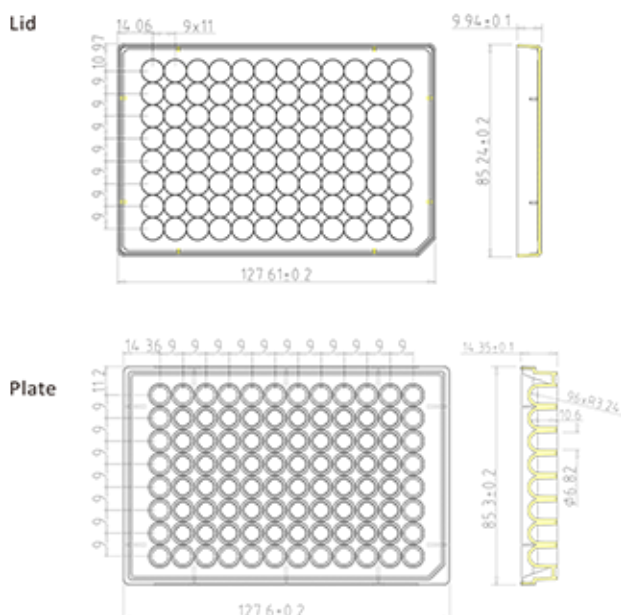
Materials

Plate: GPPS (General Polystyrene)

Lid: GPPS (General Polystyrene)



Dimensions (Unit: mm)



Features

- U-bottom round well
- Lid with notched corners for good fit and easy orientation
- Wells are labeled with alphanumeric code for easy identification
- Assembled plate and lid height: 16.2 mm
- Max. volume (single well): 0.33 mL
- Working volume (single well): 0.075~0.2 mL
- Growth area (single well): 0.58 cm²
- Autoclavability: No
- DNase/RNase free and non-pyrogenic
- Sterilized by irradiation SAL10⁶ (ISO11137)
- Shelf Life: 3 years after month of production
- Manufactured in a class 100,000 room environment
- Manufactured under ISO13485 and ISO9001 quality management system



96 well U-Bottom Tissue Culture Plates

Cat. No.	Well Qty.	Surface Type	Sterilization	Package	Qty/Tray	Qty/Box	Qty/Case
TCP002096	96	Non-Treated	Yes	Plastic blister pack	1	50	100
TCP012096	96	Surface Treated	Yes	Plastic blister pack	1	50	100
TCP200096	96	Non-Treated	Yes	Paper plastic bag	1	50	200
TCP210096	96	Surface Treated	Yes	Paper plastic bag	1	50	200

384 well Tissue Culture Plates

Description

384 well, Flat Bottom, Surface Treated or Non-Treated, Sterile

Purpose

For use in applications where cell attachment is desired or not desired

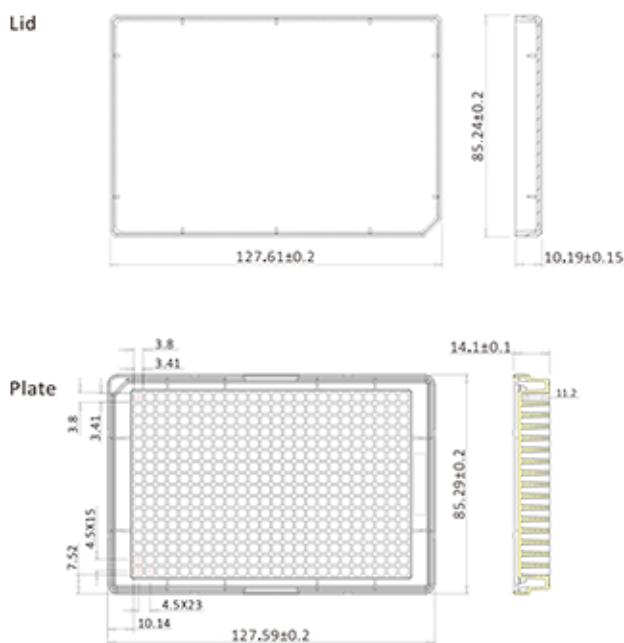
Materials

Plate: GPPS (General Polystyrene)

Lid: GPPS (General Polystyrene)



Dimensions (Unit: mm)



Features

- Flat bottom square well
- Lid with notched corners for good fit and easy orientation
- Wells are labeled with alphanumeric code for easy identification
- Assembled plate and lid height: 17.3 mm
- Max. volume (single well): 0.145 mL
- Working volume (single well): 0.01~0.1 mL
- Growth area (single well): 0.1135 cm²
- Autoclavability: No
- DNase/RNase free and non-pyrogenic
- Sterilized by irradiation SAL10⁶ (ISO11137)
- Shelf Life: 3 years after month of production
- Manufactured in a class 100,000 room environment
- Manufactured under ISO13485 and ISO9001 quality management system



384 well Tissue Culture Plates

Cat. No.	Well Qty.	Surface Type	Sterilization	Package	Qty/Tray	Qty/Box	Qty/Case
TCP001384	384	Non-Treated	Yes	Plastic blister pack	1	50	100
TCP011384	384	Surface Treated	Yes	Plastic blister pack	1	50	100