

CellATTACH® Tissue Culture Flasks

Description

25 mL, CellATTACH® Surface Treated, Plug Seal Cap or Vent Cap, Sterile

Purpose

An innovative surface rendering it more hydrophilic and increasing surface stability

Materials

Flask: GPPS (General Polystyrene)

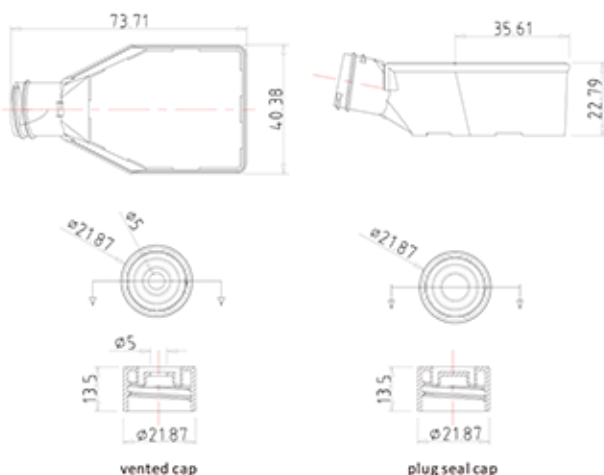
Cap: HDPE (High-density Polyethylene)

Color: Light green

Membrane: 0.22 µm Hydrophobic PVDF (only use for Vent Cap)



Dimensions (Unit: mm)



Features

- CellATTACH® Surface Treated
- Vent caps incorporate a 0.22 µm hydrophobic membrane for optimal gas exchange while protecting against contamination
- Special area near the neck for easy mark writing
- Both flask sides have engraved graduation
- Working volume: 20 mL
- Recommended Working volume: 8 mL
- Growth area: 12.5 cm²
- Autoclavability: No
- DNase/RNase free and non-pyrogenic
- Sterilized by irradiation SAL10⁶ (ISO11137)
- Shelf Life: 3 years after month of production
- Manufactured in a class 100,000 room environment
- Manufactured under ISO13485 and ISO9001 quality management system



STERILE

R

CellATTACH® Tissue Culture Flasks

Cat. No.	Capacity	Surface Type	Cap Style	Sterilization	Qty/Bag	Qty/Box	Qty/Case
CAF011025	25 mL	CellATTACH® Surface Treated	Plug Seal Cap	Yes	10	50	200
CAF012025	25 mL	CellATTACH® Surface Treated	Vent Cap	Yes	10	50	200

CellATTACH® Tissue Culture Flasks

Description

50 mL, CellATTACH® Surface Treated, Plug Seal Cap or Vent Cap, Sterile

Purpose

An innovative surface rendering it more hydrophilic and increasing surface stability

Materials

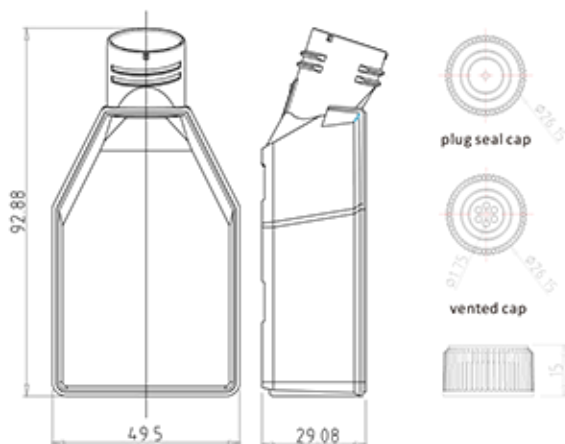
Flask: GPPS (General Polystyrene)

Cap: HDPE (High-density Polyethylene) Color: Light green

Membrane: 0.22 µm Hydrophobic PVDF (only use for Vent Cap)



Dimensions (Unit: mm)



Features

- CellATTACH® Surface Treated
- Vent caps incorporate a 0.22 µm hydrophobic membrane for optimal gas exchange while protecting against contamination
- Special area near the neck for easy mark writing
- Both flask sides have engraved graduation
- Working volume: 40 mL
- Recommended Working volume: 17.5 mL
- Growth area: 25.0 cm²
- Autoclavability: No
- DNase/RNase free and non-pyrogenic
- Sterilized by irradiation SAL10⁶ (ISO11137)
- Shelf Life: 3 years after month of production
- Manufactured in a class 100,000 room environment
- Manufactured under ISO13485 and ISO9001 quality management system



STERILE R

CellATTACH® Tissue Culture Flasks

Cat. No.	Capacity	Surface Type	Cap Style	Sterilization	Qty/Bag	Qty/Box	Qty/Case
CAF011050	50 mL	CellATTACH® Surface Treated	Plug Seal Cap	Yes	10	50	200
CAF012050	50 mL	CellATTACH® Surface Treated	Vent Cap	Yes	10	50	200

CellATTACH® Tissue Culture Flasks

Description

250 mL, CellATTACH® Surface Treated, Plug Seal Cap or Vent Cap, Sterile

Purpose

An innovative surface rendering it more hydrophilic and increasing surface stability

Materials

Flask: GPPS (General Polystyrene)

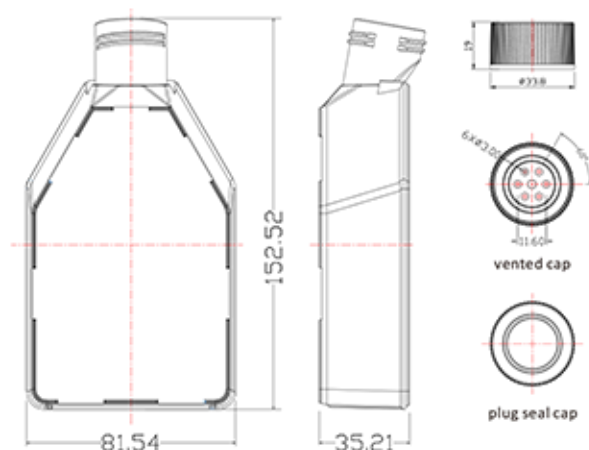
Cap: HDPE (High-density Polyethylene)

Color: Light green

Membrane: 0.22 µm Hydrophobic PVDF (only use for Vent Cap)



Dimensions (Unit: mm)



Features

- CellATTACH® Surface Treated
- Vent caps incorporate a 0.22 µm hydrophobic membrane for optimal gas exchange while protecting against contamination
- Special area near the neck for easy mark writing
- Both flask sides have engraved graduation
- Working volume: 175 mL
- Recommended Working volume: 60 mL
- Growth area: 75.0 cm²
- Autoclavability: No
- DNase/RNase free and non-pyrogenic
- Sterilized by irradiation SAL10⁶ (ISO11137)
- Shelf Life: 3 years after month of production
- Manufactured in a class 100,000 room environment
- Manufactured under ISO13485 and ISO9001 quality management system



STERILE

R

CellATTACH® Tissue Culture Flasks

Cat. No.	Capacity	Surface Type	Cap Style	Sterilization	Qty/Bag	Qty/Box	Qty/Case
CAF011250	250 mL	CellATTACH® Surface Treated	Plug Seal Cap	Yes	5	25	100
CAF012250	250 mL	CellATTACH® Surface Treated	Vent Cap	Yes	5	25	100

CellATTACH® Tissue Culture Flasks

Description

600 mL, CellATTACH® Surface Treated, Plug Seal Cap or Vent Cap, Sterile

Purpose

An innovative surface rendering it more hydrophilic and increasing surface stability

Materials

Flask: GPPS (General Polystyrene)

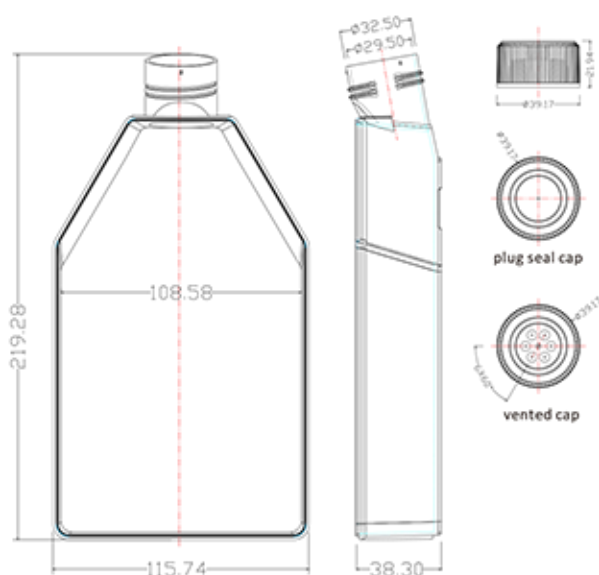
Cap: HDPE (High-density Polyethylene)

Color: Light green

Membrane: 0.22 µm Hydrophobic PVDF (only use for Vent Cap)



Dimensions (Unit: mm)



Features

- CellATTACH® Surface Treated
- Vent caps incorporate a 0.22 µm hydrophobic membrane for optimal gas exchange while protecting against contamination
- Special area near the neck for easy mark writing
- Both flask sides have engraved graduation
- Working volume: 400 mL
- Recommended Working volume: 125 mL
- Growth area: 182.0 cm²
- Autoclavability: No
- DNase/RNase free and non-pyrogenic
- Sterilized by irradiation SAL10⁶ (ISO11137)
- Shelf Life: 3 years after month of production
- Manufactured in a class 100,000 room environment
- Manufactured under ISO13485 and ISO9001 quality management system



CellATTACH® Tissue Culture Flasks

Cat. No.	Capacity	Surface Type	Cap Style	Sterilization	Qty/Bag	Qty/Box	Qty/Case
CAF011600	600 mL	CellATTACH® Surface Treated	Plug Seal Cap	Yes	5	20	40
CAF012600	600 mL	CellATTACH® Surface Treated	Vent Cap	Yes	5	20	40

CellATTACH® Tissue Culture Flasks

Description

850 mL, CellATTACH® Surface Treated, Plug Seal Cap or Vent Cap, Sterile

Purpose

An innovative surface rendering it more hydrophilic and increasing surface stability

Materials

Flask: GPPS (General Polystyrene)

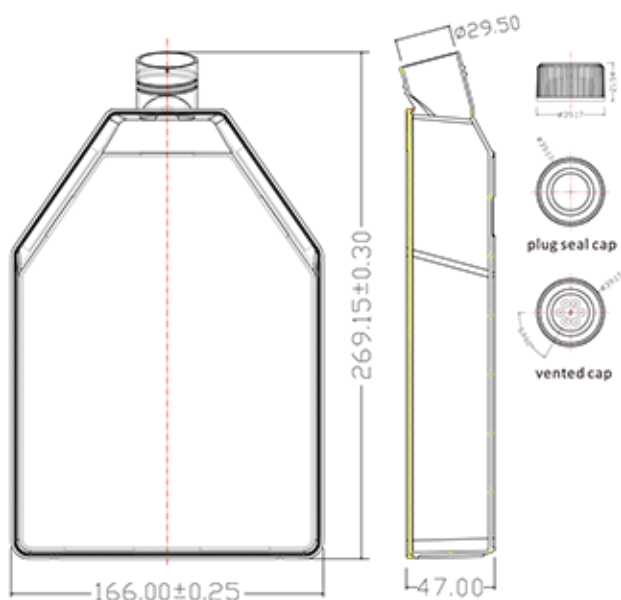
Cap: HDPE (High-density Polyethylene)

Color: Light green

Membrane: 0.22 µm Hydrophobic PVDF (only use for Vent Cap)



Dimensions (Unit: mm)



Features

- CellATTACH® Surface Treated
- Vent caps incorporate a 0.22 µm hydrophobic membrane for optimal gas exchange while protecting against contamination
- Special area near the neck for easy mark writing
- Both flask sides have engraved graduation
- Working volume: 850 mL
- Recommended Working volume: 200 mL
- Growth area: 300.0 cm²
- Autoclavability: No
- DNase/RNase free and non-pyrogenic
- Sterilized by irradiation SAL10⁶ (ISO11137)
- Shelf Life: 3 years after month of production
- Manufactured in a class 100,000 room environment
- Manufactured under ISO13485 and ISO9001 quality management system



CellATTACH® Tissue Culture Flasks

Cat. No.	Capacity	Surface Type	Cap Style	Sterilization	Qty/Bag	Qty/Box	Qty/Case
CAF011850	850 mL	CellATTACH® Surface Treated	Plug Seal Cap	Yes	3	9	18
CAF012850	850 mL	CellATTACH® Surface Treated	Vent Cap	Yes	3	9	18