

## CellATTACH® Tissue Culture Dishes

### Description

35 mm, CellATTACH® Surface Treated, Sterile

### Purpose

An innovative surface rendering it more hydrophilic and increasing surface stability

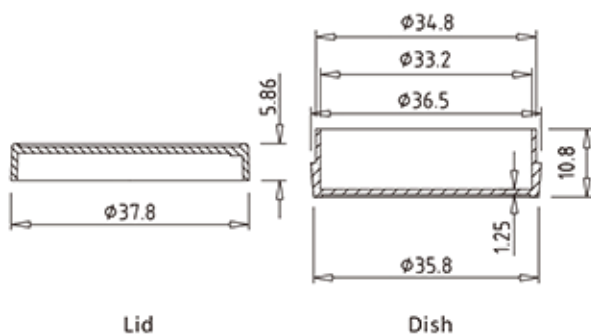
### Materials

Dish: GPPS (General Polystyrene)

Lid: GPPS (General Polystyrene)



### Dimensions (Unit: mm)



### Features

- CellATTACH® Surface Treated
- Lids with several little chimbs to shape vents are available for very effective gas exchange
- Flat bottom uniform wall thickness ensures distortion-free bottom
- Bulk packed in zip-Lock bag
- Recommended Working volume: 2-3.5 mL
- Growth area: 8.5 cm<sup>2</sup>
- Autoclavability: No
- DNase/RNase free and non-pyrogenic
- Sterilized by irradiation SAL10<sup>6</sup> (ISO11137)
- Shelf Life: 3 years after month of production
- Manufactured in a class 100,000 room environment
- Manufactured under ISO13485 and ISO9001 quality management system



## CellATTACH® Tissue Culture Dishes

Cat. No.	Capacity	Surface Type	Sterilization	Qty/Bag	Qty/Box	Qty/Case
CAD010035	35 mm	CellATTACH® Surface Treated	Yes	10	40	240

## CellATTACH® Tissue Culture Dishes

### Description

60 mm, CellATTACH® Surface Treated, Sterile

### Purpose

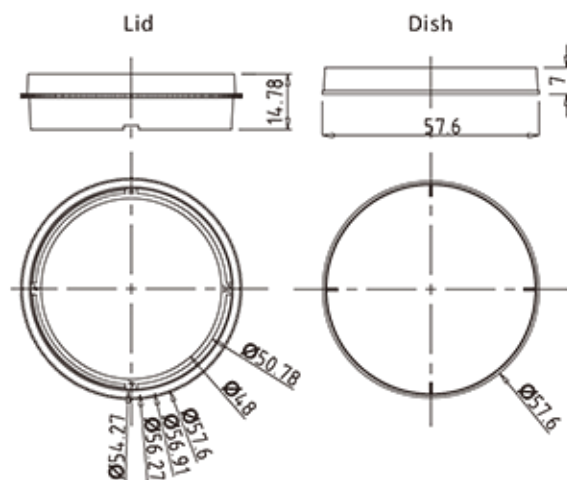
An innovative surface rendering it more hydrophilic and increasing surface stability

### Materials

Dish: GPPS (General Polystyrene)

Lid: GPPS (General Polystyrene)

### Dimensions (Unit: mm)



### Features

- CellATTACH® Surface Treated
- Lids with several little chimbs to shape vents are available for very effective gas exchange
- Flat bottom uniform wall thickness ensures distortion-free bottom
- Bulk packed in zip-Lock bag
- Recommended Working volume: 4-7 mL
- Growth area: 21.2 cm<sup>2</sup>
- Autoclavability: No
- DNase/RNase free and non-pyrogenic
- Sterilized by irradiation SAL10<sup>6</sup> (ISO11137)
- Shelf Life: 3 years after month of production
- Manufactured in a class 100,000 room environment
- Manufactured under ISO13485 and ISO9001 quality management system

## CellATTACH® Tissue Culture Dishes

Cat. No.	Capacity	Surface Type	Sterilization	Qty/Bag	Qty/Box	Qty/Case
CAD010060	60 mm	CellATTACH® Surface Treated	Yes	10	40	240

## CellATTACH® Tissue Culture Dishes

### Description

70 mm, CellATTACH® Surface Treated, Sterile

### Purpose

An innovative surface rendering it more hydrophilic and increasing surface stability

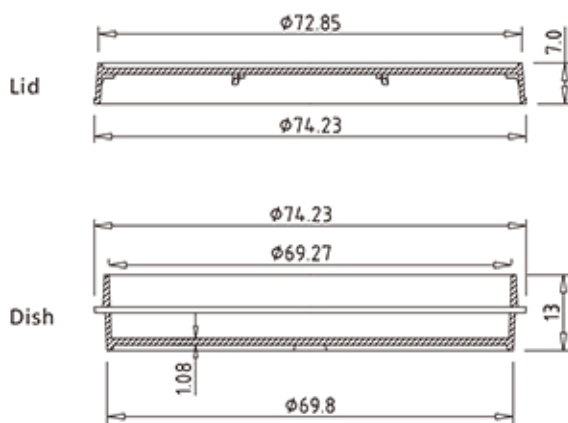
### Materials

Dish: GPPS (General Polystyrene)

Lid: GPPS (General Polystyrene)



### Dimensions (Unit: mm)



### Features

- CellATTACH® Surface Treated
- Lids with several little chimbs to shape vents are available for very effective gas exchange
- Flat bottom uniform wall thickness ensures distortion-free bottom
- Bulk packed in zip-Lock bag
- Recommended Working volume: 6-11 mL
- Growth area: 36.3 cm<sup>2</sup>
- Autoclavability: No
- DNase/RNase free and non-pyrogenic
- Sterilized by irradiation SAL10<sup>6</sup> (ISO11137)
- Shelf Life: 3 years after month of production
- Manufactured in a class 100,000 room environment
- Manufactured under ISO13485 and ISO9001 quality management system



## CellATTACH® Tissue Culture Dishes

Cat. No.	Capacity	Surface Type	Sterilization	Qty/Bag	Qty/Box	Qty/Case
CAD010070	70 mm	CellATTACH® Surface Treated	Yes	10	40	240

## CellATTACH® Tissue Culture Dishes

### Description

90 mm, CellATTACH® Surface Treated, Sterile

### Purpose

An innovative surface rendering it more hydrophilic and increasing surface stability

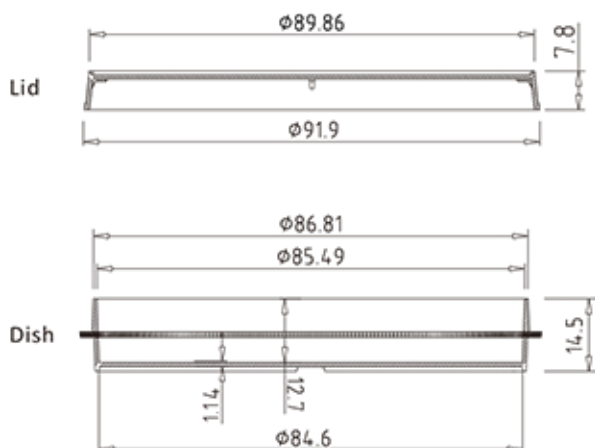
### Materials

Dish: GPPS (General Polystyrene)

Lid: GPPS (General Polystyrene)



### Dimensions (Unit: mm)



### Features

- CellATTACH® Surface Treated
- Lids with several little chimbs to shape vents are available for very effective gas exchange
- Flat bottom uniform wall thickness ensures distortion-free bottom
- Bulk packed in zip-Lock bag
- Recommended Working volume: 10-18 mL
- Growth area: 55.0 cm<sup>2</sup>
- Autoclavability: No
- DNase/RNase free and non-pyrogenic
- Sterilized by irradiation SAL10<sup>6</sup> (ISO11137)
- Shelf Life: 3 years after month of production
- Manufactured in a class 100,000 room environment
- Manufactured under ISO13485 and ISO9001 quality management system



## CellATTACH® Tissue Culture Dishes

Cat. No.	Capacity	Surface Type	Sterilization	Qty/Bag	Qty/Box	Qty/Case
CAD010090	90 mm	CellATTACH® Surface Treated	Yes	10	40	240

## CellATTACH® Tissue Culture Dishes

### Description

100 mm, CellATTACH® Surface Treated, Sterile

### Purpose

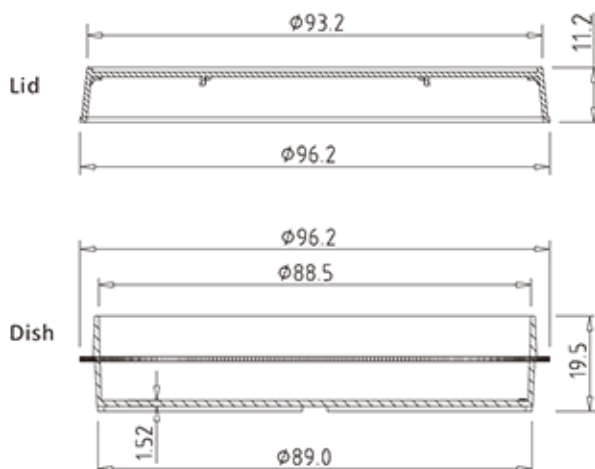
An innovative surface rendering it more hydrophilic and increasing surface stability

### Materials

Dish: GPPS (General Polystyrene)

Lid: GPPS (General Polystyrene)

### Dimensions (Unit: mm)



### Features

- CellATTACH® Surface Treated
- Lids with several little chimbs to shape vents are available for very effective gas exchange
- Flat bottom uniform wall thickness ensures distortion-free bottom
- Bulk packed in zip-Lock bag
- Recommended Working volume: 12-20 mL
- Growth area: 60.8 cm<sup>2</sup>
- Autoclavability: No
- DNase/RNase free and non-pyrogenic
- Sterilized by irradiation SAL10<sup>6</sup> (ISO11137)
- Shelf Life: 3 years after month of production
- Manufactured in a class 100,000 room environment
- Manufactured under ISO13485 and ISO9001 quality management system



STERILE

R

## CellATTACH® Tissue Culture Dishes

Cat. No.	Capacity	Surface Type	Sterilization	Qty/Bag	Qty/Box	Qty/Case
CAD010100	100 mm	CellATTACH® Surface Treated	Yes	10	40	240



## CellATTACH® Tissue Culture Dishes

### Description

150 mm, CellATTACH® Surface Treated, Sterile

### Purpose

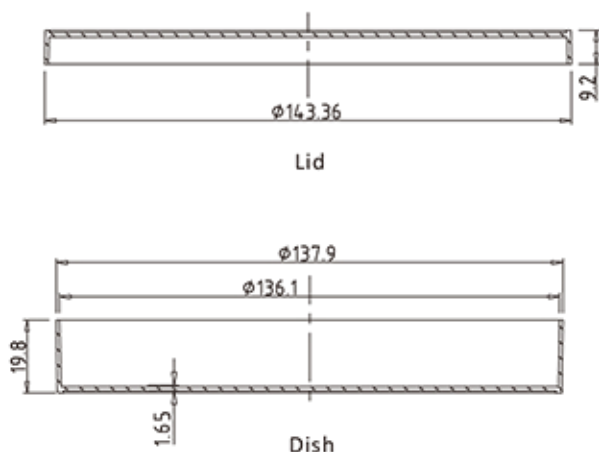
An innovative surface rendering it more hydrophilic and increasing surface stability

### Materials

Dish: GPPS (General Polystyrene)

Lid: GPPS (General Polystyrene)

### Dimensions (Unit: mm)



### Features

- CellATTACH® Surface Treated
- Lids with several little chimbs to shape vents are available for very effective gas exchange
- Flat bottom uniform wall thickness ensures distortion-free bottom
- Bulk packed in zip-Lock bag
- Recommended Working volume: 25-50 mL
- Growth area: 143.0 cm<sup>2</sup>
- Autoclavability: No
- DNase/RNase free and non-pyrogenic
- Sterilized by irradiation SAL10<sup>6</sup> (ISO11137)
- Shelf Life: 3 years after month of production
- Manufactured in a class 100,000 room environment
- Manufactured under ISO13485 and ISO9001 quality management system



## CellATTACH® Tissue Culture Dishes

Cat. No.	Capacity	Surface Type	Sterilization	Qty/Bag	Qty/Box	Qty/Case
CAD010150	150 mm	CellATTACH® Surface Treated	Yes	5	20	80