

Rotatable™ Cell Scrapers

Description

Cell Scrapers, Free Rotating Blade, Non-Pyrogenic, Sterile

Purpose

The process of scraping off and collecting cells more easier and effective

Materials

Handle: ABS (Acrylonitrile-Butadiene-Styrene)

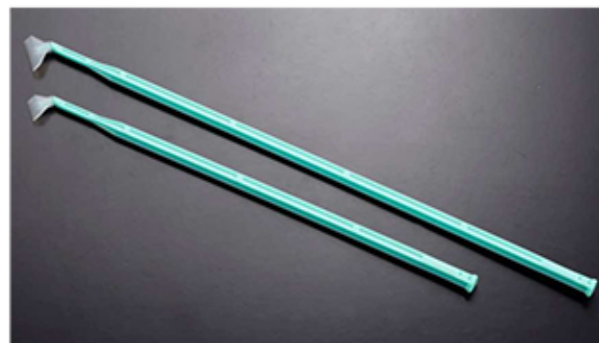
Color: Light green

Blade: PE (Polyethylene)

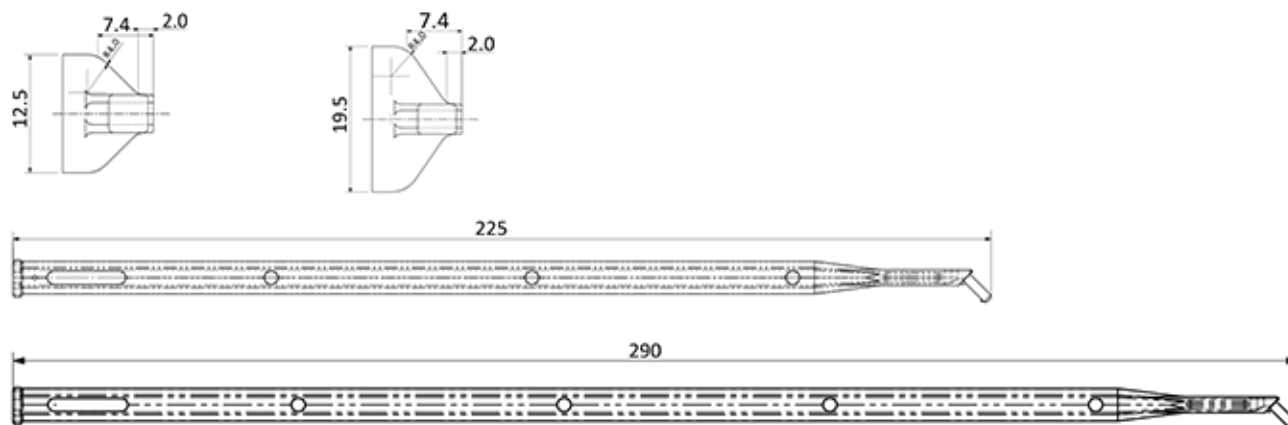
Color: Natural

Features

- Changes of the blade angle of the cell scraper require slight pressure on the handle using the forefinger, thus pushing the handle downward towards the floor of the container
- Available with 2 different lengths of 23cm, 30cm
- Free rotating blade to twist to the desired direction
- Individually wrapped
- DNase/RNase free and Non-pyrogenic
- Sterilized by irradiation SAL10⁻⁶ (ISO11137)
- Shelf Life: 3 years after month of production
- Manufactured in a class 100,000 room environment
- Manufactured under ISO13485 and ISO9001 quality management system



Dimensions (Unit: mm)



Rotatable™ Cell Scrapers

Cat. No.	Total Length	Blade Width	Sterilization	Qty/Pk	Qty/Case
CSC211023	23 cm	1.25 cm	Yes	1	150
CSC212023	23 cm	1.95 cm	Yes	1	150
CSC211030	30 cm	1.25 cm	Yes	1	150
CSC212030	30 cm	1.95 cm	Yes	1	150